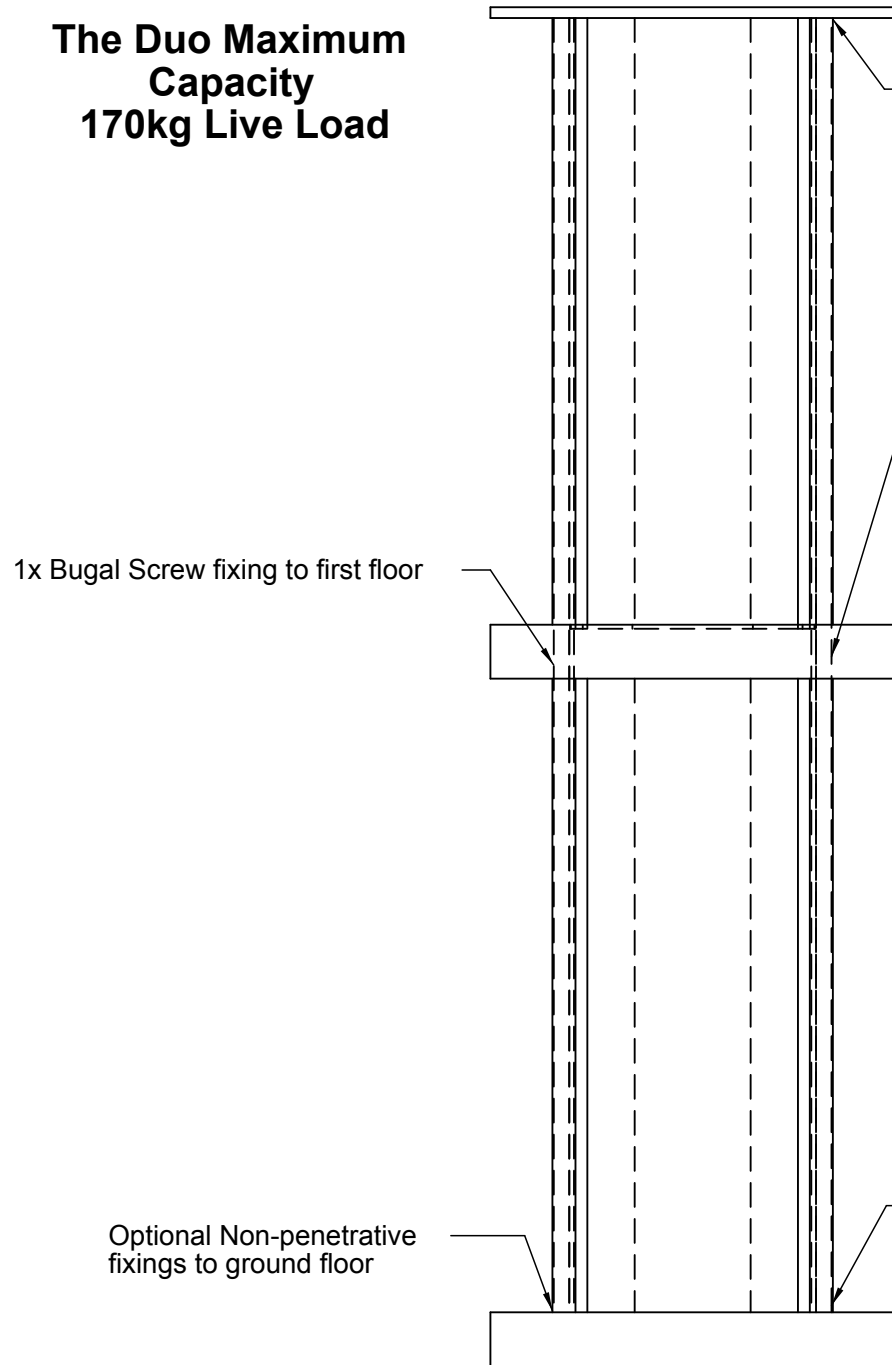


**The Duo Maximum Capacity  
170kg Live Load**



No compression load on ceiling  
Possible lateral load of 8kg  
2 fixed pins in shear with ceiling

No Load Bearing on 1st Floor  
Fixings used for guidance of rails

Principal Data

TYPE:  
The Duo Residential Access Device

DRIVE SYSTEM:  
Roped Drum, Braked Gear Motor Drive

CAPACITY:  
170kg

TRAVEL:  
Variable (up to 4000mm)

NO OF STOPS:  
2 Maximum

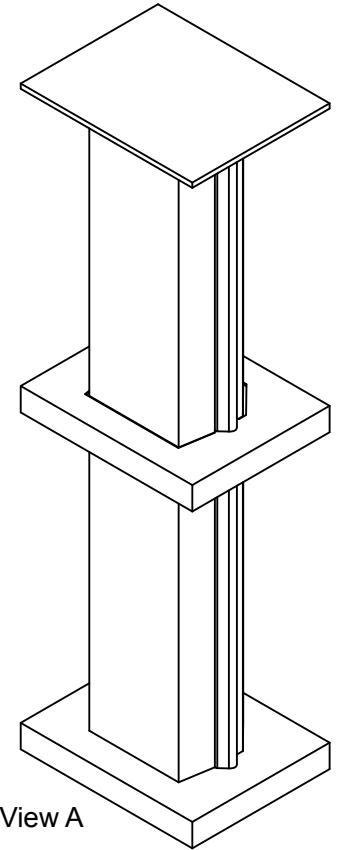
SUPPLY VOLTAGE:  
240V 1PH 50HZ

RUNNING CURRENT:  
2.5 AMP

STARTING CURRENT:  
2.5 AMP

STANDARD COLOUR:  
Off White / Cream (other colours available)

Compression Load  
200kg / 2000kn Each Rail



View A - Front View



Engineering Loads - The Duo

TITLE  
Load Details & Fixings

NOT FOR  
CONSTRUCTION

Date: 21st November 2011

REV  
B

Drawn By: C.G

SCALE: NTS All dimensions in millimeters