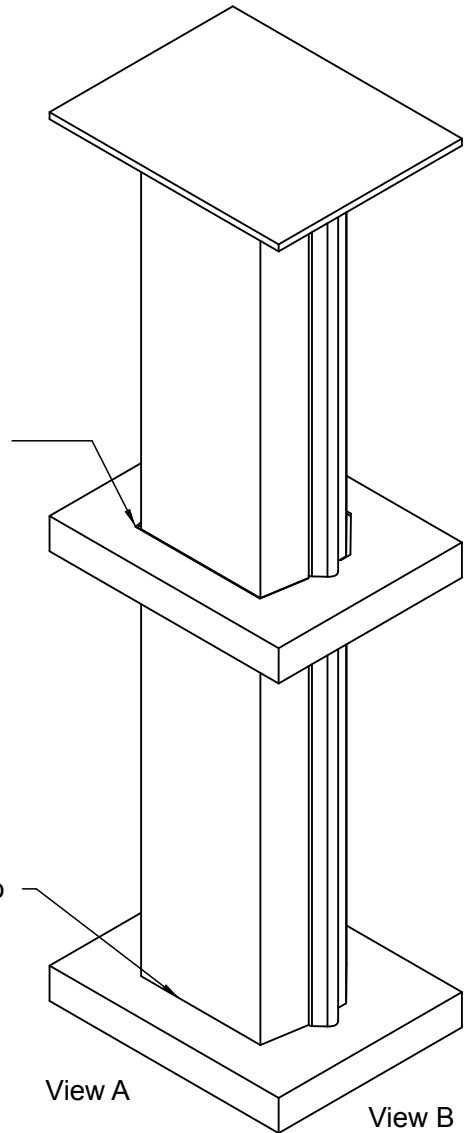


Relief in First Floor of 20mm - For Plug (Not Required for Lid)

Entrance to The Duo This Face



**Stiltz**<sup>TM</sup>

Details of Required Area for The Duo - Shaftless

TITLE The Duo - Overall Plan

NOT FOR CONSTRUCTION

Date: 21st November 2011

REV B

Drawn By: C.G

SCALE: NTS

All dimensions in millimeters